

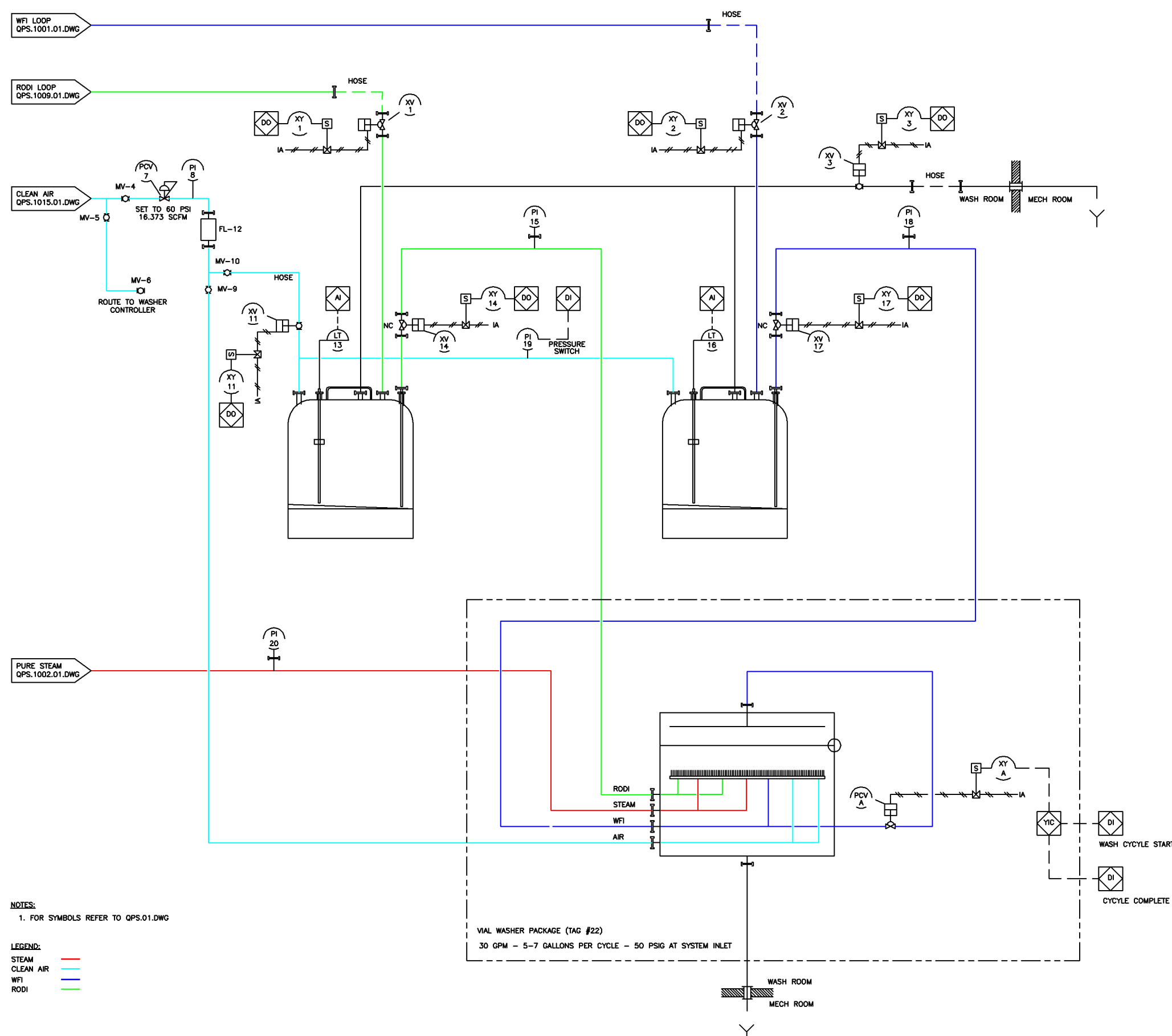
THIS DRAWING IS THE PROPERTY OF QPS, LLC., AND IS NOT BE REPRODUCED, COPIED OR USED FOR ANY PURPOSE OTHER THAN CONSTRUCTION OF THIS PROJECT WITHOUT THE WRITTEN CONSENT OF QPS, LLC.

SEAL

SEAL

REVISIONS


DATE	BY	DESCRIPTION	REV
1/24/06	MM	PRE-PROCESS CONCEPTUAL	A
8/19/06	MM	AS-BUILT	1



NOTES:
1. FOR SYMBOLS REFER TO QPS.01.DWG

LEGEND:
STEAM (red line)
CLEAN AIR (cyan line)
WFI (blue line)
RODI (green line)

VIAL WASHER PACKAGE (TAG #22)
30 GPM - 5-7 GALLONS PER CYCLE - 50 PSIG AT SYSTEM INLET

PREPARED BY

Qualification Process Solutions
13406 Blythenia Road
Phoenix, MD 21131

PREPARED FOR

TITLE
VIAL WASHER P&ID

DESIGN BY DRAWN BY CHECKED BY
MM NB

SCALE REVISION
NONE 1

DATE DWG NO.
8/18/06